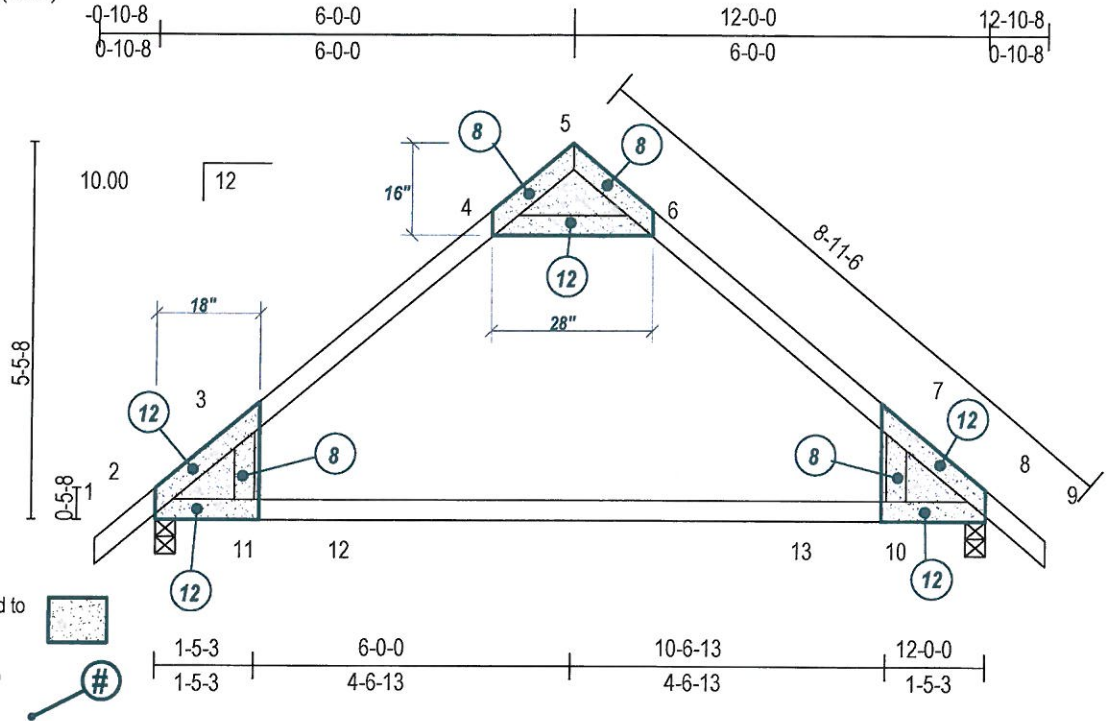


10-0306_12ft-10/12	Truss T01-40Pg-24oc	Truss Type COMMON	Qty 1	Ply 1	EZup Sheds - Sentry Building
--------------------	------------------------	----------------------	----------	----------	------------------------------

Koehlinger Engineering, Bolivar, OH 44612, (KDH)



7/16" oriented strand board (OSB) glued and nailed to both faces of the truss using sizes specified.

Quantity of 6d nails (.113 x 2") to be staggered into EACH FACE of the truss member indicated.

LOADING (psf)	SPACING	2-0-0	CSI	DEFL	in	(loc)	l/def	L/d	
TCLL 20.0	Plates Increase	1.15	TC 0.62	Vert(LL)	-0.27	10-11	>513	360	
TCDL 10.0	Lumber Increase	1.15	BC 0.57	Vert(TL)	-0.48	10-11	>291	240	
BCLL 0.0 *	Rep Stress Incr	YES	WB 0.25	Horz(TL)	0.01	8	n/a	n/a	
BCDL 5.0	Code	IBC2006/TPI2002	(Matrix)						Weight: 39 lb

LUMBER
TOP CHORD 2 X 4 SPF No.2
BOT CHORD 2 X 4 SPF No.2
WEBS 2 X 4 SPF Stud

BRACING
TOP CHORD Structural wood sheathing directly applied or 5-4-10 oc purlins.
BOT CHORD Rigid ceiling directly applied or 10-0-0 oc bracing.

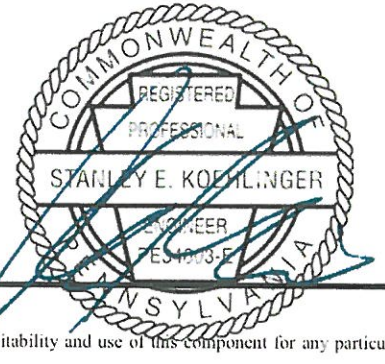
REACTIONS (lb/size) 2=725/0-3-8, 8=725/0-3-8
Max Horz 2=-306(LC 6)
Max Uplift 2=-393(LC 8), 8=-393(LC 9)

FORCES (lb) - Maximum Compression/Maximum Tension
TOP CHORD 1-2=0/45, 2-3=-891/297, 3-14=-597/357, 4-14=-439/375, 4-5=-143/218, 5-6=-144/218, 6-15=-439/375, 7-15=-597/357, 7-8=-891/296, 8-9=0/45
BOT CHORD 2-11=-115/459, 11-12=-115/459, 12-13=-115/459, 10-13=-115/459, 8-10=-115/459
WEBS 4-6=-723/659, 3-11=-104/388, 7-10=-103/388

- NOTES
- Unbalanced roof live loads have been considered for this design.
 - Wind: ASCE 7-05; 130mph; TCDL=6.0psf; BCDL=3.0psf; h=12ft; Cat. II; Exp C; enclosed; MWFRS (low-rise) gable end zone and C-C Exterior(2) zone; cantilever left and right exposed; end vertical left and right exposed; C-C for members and forces & MWFRS for reactions shown; Lumber DOL=1.33 plate grip DOL=1.33
 - TCLL: ASCE 7-05; Pr=20.0 psf (roof live load: Lumber DOL=1.15 Plate DOL=1.15); Pg=40.0 psf (ground snow); Pf=33.6 psf (flat roof snow: Lumber DOL=1.15 Plate DOL=1.15); Category II; Exp C; Partially Exp.; Ct=1.2
 - Unbalanced snow loads have been considered for this design.
 - This truss has been designed for greater of min roof live load of 12.0 psf or 1.00 times flat roof load of 33.6 psf on overhangs non-concurrent with other live loads.
 - * This truss has been designed for a live load of 10.0psf on the bottom chord in all areas where a rectangle 2-0-0 tall by 1-6-0 wide will fit between the bottom chord and any other members, with BCDL = 5.0psf.
 - Provide mechanical connection (by others) of truss to bearing plate capable of withstanding 393 lb uplift at joint 2 and 393 lb uplift at joint 8.
 - This truss is designed in accordance with the 2006 International Building Code section 2306.1 and referenced standard ANSI/TPI 1.

LOAD CASE(S) Standard

10-0306



Warning! - Verify design parameters and read notes before use.

The seal on this drawing indicates acceptance of professional engineering responsibility solely for the truss component design shown. The suitability and use of this component for any particular building design is the responsibility of the building designer - not the truss designer or truss engineer, per ANSI/TPI 1-2002 Section 2.

A copy of this design shall be furnished to the erection contractor. This design is for an individual building component (a truss). It is based on specifications provided by the component manufacturer and performed in accordance with latest edition of TPI 1, IBC/IRC, and NDS design standards. No responsibility is assumed for the accuracy of information provided by the truss designer. The building designer shall review loading and truss configuration to ensure that this design meets or exceeds minimum loading required by applicable local building codes. Bracing shown is for lateral support of individual web members only. Additional temporary bracing to ensure stability during construction is the responsibility of the erector. Additional permanent bracing of the overall structure is the responsibility of the building designer. For general guidance regarding fabrication, quality control, storage, delivery, erection and bracing, consult ANSI / TPI 1 (National Design Standard for Metal Connected Wood Truss Construction) and BCSI 1-03 (Guide to Good Practice for Handling, Installation & Bracing of Metal Plate Connected Wood Trusses) from the Truss Plate Institute.

Glenwood Elevation

